

ASIT-T/RHDMI-S HD Digital Optical Transceiver

HDMI Optical Transceiver



- ◆ All digit, no compression, high-definition optical fiber transmission
- ◆ Supports 1 channel HDMI hd video transmission
- ◆ Compatible support HDMI 1.3 b standard
- ◆ Automatic recognition & configuration of the various display mode
- ◆ Supports UXGA 1600 x1200 /WUXGA1920x1200 @ 60 Hz,
- ◆ HDTV 1080 p 2048 x1080 @ 60 Hz resolution, max 5.4 Gbps bandwidth
- ◆ Max support: 12 bit color depth
- ◆ Max 225 MHz clock pixels
- ◆ Built-in automatic equilibrium and refix time function, clear and steady frames
- ◆ Supports E-DDC display mode memory and remote reading function, keep the display mode correct loading
- ◆ Transparent support HDCP/CEC function
- ◆ Gigabit fiber optic transmission technology, large capacity, easy to upgrade
- ◆ Optical fiber WDM/CWDM/DWDM technology
- ◆ No need software Settings, to support plug and play function, support hot swaps
- ◆ Apply to extremely high and low temperature, and other severe industrial environment
- ◆ whole surface mount technology
- ◆ Industrial design, high reliability
- ◆ Supports custom and OEM

Product Description

HDMI Optical transmitter & receiver adopts advanced non-compressed digital high-definition video and high-speed digital optical fiber transmission technology, can easily transmit host computer ,high-definition video signal sources, HDMI high-definition signals from various resolutions of the output of high-definition DVD/DVR devices to the

remote distance.

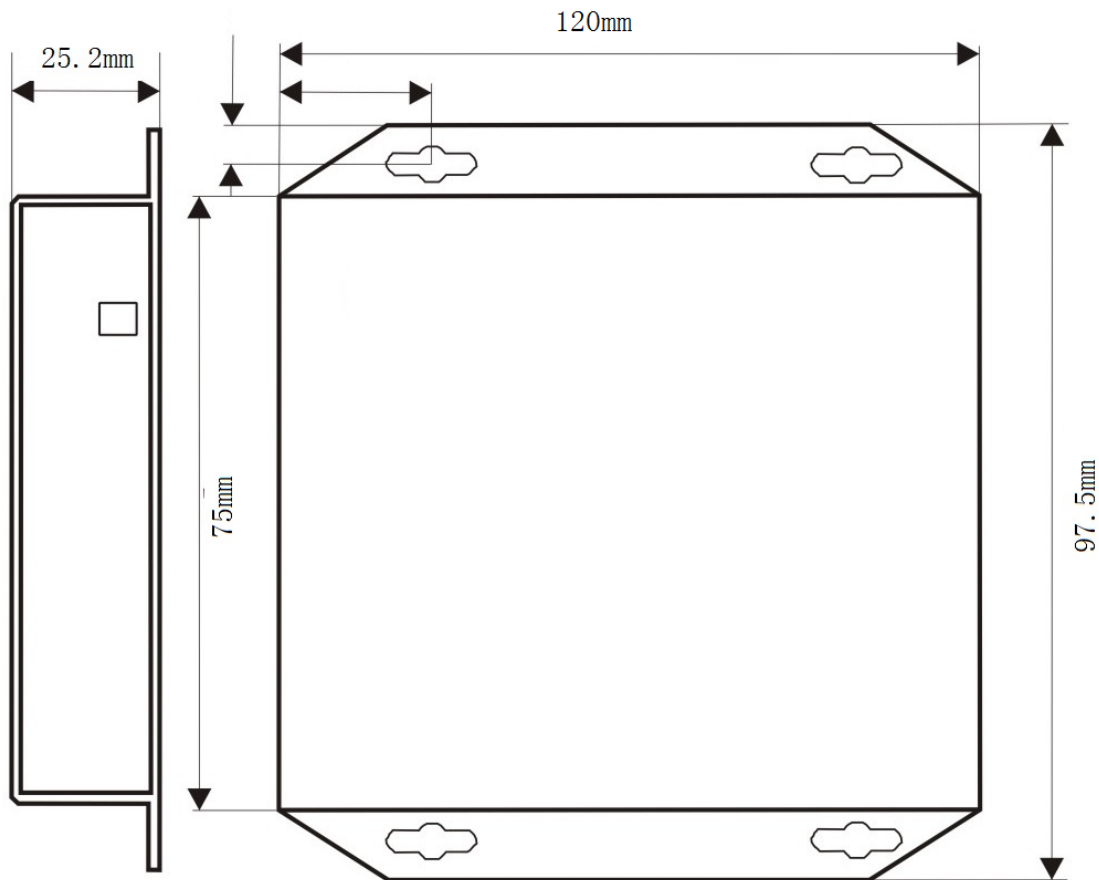
Thus the HD video signal can break short cable transmission restrictions, greatly extend the application scope and connection distance and makes hd video wide-area spread, release; Through a DVI to HDMI adapter cable, may realize the DVI video.

Technical Specification

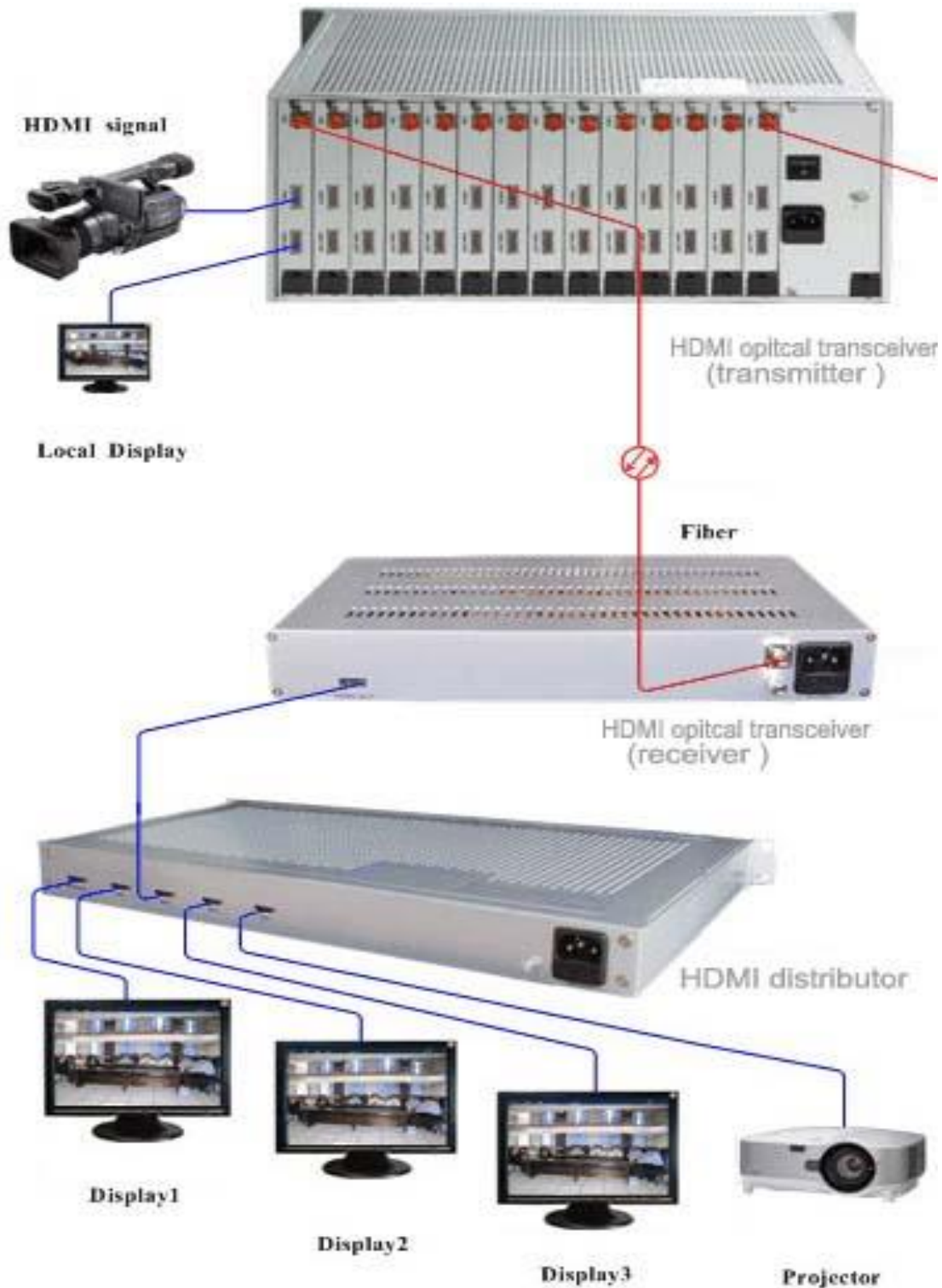
Technical parameter name				Descriptions			
Video Interface Characteristics	Channel Quantity(transmitter)			1 channel			
	Input Level(transmitter)			800-1200mVp-p (typical)			
	Input Differential Impedance (transmitter)			100Ω			
	Input Impedance(transmitter)			75 Ω (unbalanced)			
	Physical Interface(transmitter)			Type A-hole socket			
	Output Channel Quantity (receiver)			1 channel (2 channels need be customized ,15 days or so)			
	Output Level (receiver)			800-1200mVp-p(typical)			
	Video Color Depth(receiver)			8/10/12 bit			
	Video Pixel Clock (receiver)			225MHz			
	Video Bandwidth (receiver)			5.4Gbps			
	Physical Interface(receiver)			Type A-hole socket			
	Transmitter/Receiver Signal Formats			HDMI: UXGA 1600x1200@60Hz WUXGA 1920x1200@60Hz HDTV: 1080P 2048x1080 @60Hz			
	E-DDC Standards			E-DDC2/EDID			
	E-DDC Level			5V TTL level			
	E-DDC Processing			loop output or transmitter remote access and memory			
HDCP/CEC			transparent support				
Optical Fiber Interface Characteristics	Port Quantity			1 piece			
	Interface Type			LC(SC can be customized)			
	Fiber Type			Single mode/multimode			
	Transmission Distance			20/40/60/100KM(single mode)/200M(multimode)			
	Tx/Rx wavelength			850nm(multimode)/(1310nm/1550nm)(single mode)			
	Type	TX wavelength (nm)	TX power dBm	Rx sensitivity dBm	Transmission Distance Km	Light saturation dB	Fiber Type(Single fiber or four fiber) LC/PC
	multimode	850	-16.5~-15	-22	0~2	1	850nm(multimode)
	Single mode	1310	-6~-3	-22	0~20	0.5	Single mode(9/125um)
		1550DFB	-1~+1	-22	0~40	0.25	Single mode(9/125um)
1550DFB		-5~0	-28	0~60	0.25	Single mode(9/125um)	

Power	Supply Voltage	AC85-260V/50Hz
Characteristics	Power Consumption	2.5w (Input : DC5V 1000mA)
System Characteristics	Mean Time Between Failure (MTBF)	More than 100000hours
Body Characteristics	Size(L x W x H)	Standalone : 122mmX90mmX31mm 1U rack-mounted : 482.6mmX235mmX44mm
	Materials	Aluminum Alloy
	Net Weight	200g
Operating Environment Characteristics	Operating Temperature	-40 C~+85 °C
	Storage temperature	-45 C~+95 °C
	Relative humidity	0~95% (Non-condensing)

Product Size Display



Product Application Diagram



Product Ordering Information

Item Model	Specification	Fiber Core Quantity	Maximum Transmission Distance
ASIT-T/RHDMI-M	HDMI optical transceiver	1core	300m (multimode)
ASIT-T/RHDMI-S	HDMI optical transceiver	1core	20km (single mode)
ASIT-T/RHDMI-S40	HDMI optical transceiver	1core	40km (single mode))
ASIT-T/RHDMI-S60	HDMI optical transceiver	1core	60km (single mode)
ASIT-T/RHDMI-4M	HDMI optical transceiver	4 cores	300m (multimode)
ASIT-T/RHDMI-S-4F	HDMI optical transceiver	4 cores	20km (single mode)
ASIT-T/RHDMI-S40-4F	HDMI optical transceiver	4 cores	40km (single mode))
ASIT-T/RHDMI-S60 -4F	HDMI optical transceiver	4 cores	60km (single mode)

The equipment can use 2 U rack-mountable (each 2 U rack can be equipped with 16 transmitter cards or 16 receiver card s), or independent type

Can also customize the quantity of transmitters or the receivers independently, can use asymmetry

Definition :

D : Data ; A : Audio ; E : Ethernet

-S40 : 40km ; -S60 : 60km

-S : single mode ; -M : multimode

Product Packing Lists

User Manual	Maintenance card	Qualified Certification	Power Adapter	Facility
1copy	1copy	1 copy	1 piece	1 set